



Nederman

FilterCart Original

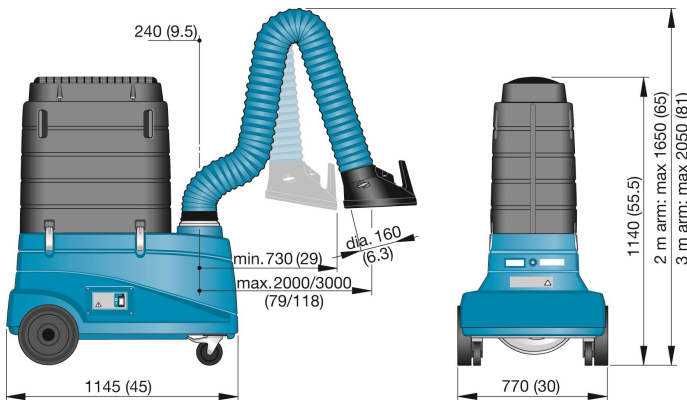
Easy to use mobile filter unit for light to medium welding applications



FilterCart Original mobile filter unit for light welding and extraction applications. FilterCart Original includes Extraction Arm Original with an integrated spotlight, which optimizes the user-friendly design. If a larger working range is needed, the 3 m (10 ft.) long arm version is recommended.

- Easy to maneuver
- LED spotlight included, better light conditions for better welding result
- Long lasting oneway filter with large filter surface
- HEPA 13 filter optional available

Product name	FilterCart Original
Noise level (dB(A))	73
Filter efficiency (%)	99
Installation	Indoor
Material	Housing in roto moulded plastic. Extraction arm in PVC hose and aluminium frame. Fan in steel and aluminium.
Suitable for combustible dust	False
Material recycling (%)	99
Application	Fumes
Extraction arm diameter (in)	6
Airflow (cfm)	618
Filter Area (ft ²)	377
Power Voltage (V)	120
Frequency (Hz)	60
No of phases	1
Filter type	Cartridge
Number of filter elements	1
Filter material	Cellulose (flame retardant)
Electric plug	US
Weight (lbs)	161
Filter cleaning method	One way filter
Power (Hp)	1.0 (0.75 Kw)



Arm length (ft)	Model
10	12624345
7	12624245

